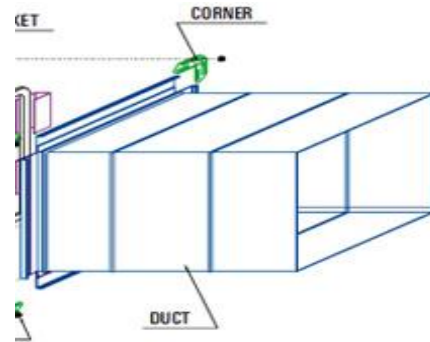
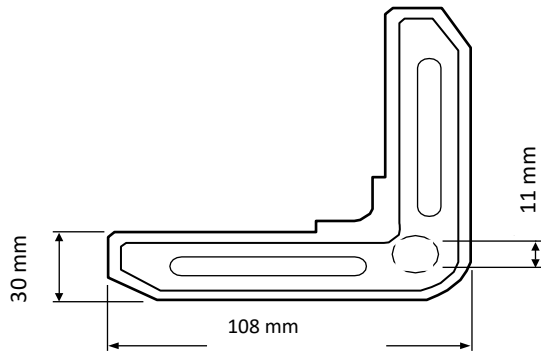


Corners -TDF

Material: Galvanized steel

Thickness: 1.2mm or +

-



Corners -TDC 35mm

Material: Galvanized steel

Thickness: 2 mm

